

TRAIL CAMERA

HC900A



USER MANUAL



1080P full
hd

0.3s

Fast trigger
time

120°

Detection angle



Rugged
waterproof

PACKING INCLUDES



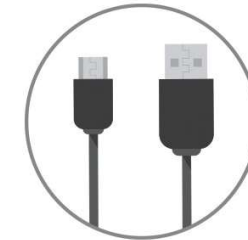
▲
Camera



▲
Manual



▲
Mounting
Strap



▲
USB Cable

SPECIFICATIONS

Photo recording

Photo resolution	20 MP
File format	JPG
Time lapse mode	5min/30min/60min
Multi-shot mode	Up to 9 photos per detection
Stamp (photos and video)	Date, time, temperature (°C/°F) and moon phase
Capture mode	Color by day, black and white by night

Video recording

Video resolution	1920 x 1080/30fps (FHD)
File format	AVI/H.264
Sequence length	Adjustable from 10 to 90 s
Capture mode	Color by day, black and white by night

Audio

Sound recording	N/A
-----------------	-----

(automatically recorded in video mode)

Memory storage

Support	<ul style="list-style-type: none">•Internal memory: none•External memory : Micro SD card (up to 64 GB)
---------	---

Viewing

Built-in screen	TFT 2.0"
-----------------	----------

Power source

Alkaline or lithium batteries	8 x AA
Lithium battery pack	Rechargeable battery pack(LIT-900)
External (3.5X1.5mm Jack)	DC12V 1000mA ,(6V~12V)

Detection system

Motion sensor	Single PIR
Detection angle	120°
Detection range	25 meters/ 75ft
Trigger speed	0.3 sec
Delay between each detection	Adjustable from Instant to 30 min

Night time illumination system

LEDs	44 LEDs
Flash range	<25 meters / 75ft
Exposure	Automatic infrared level adjustment

Optical field of view

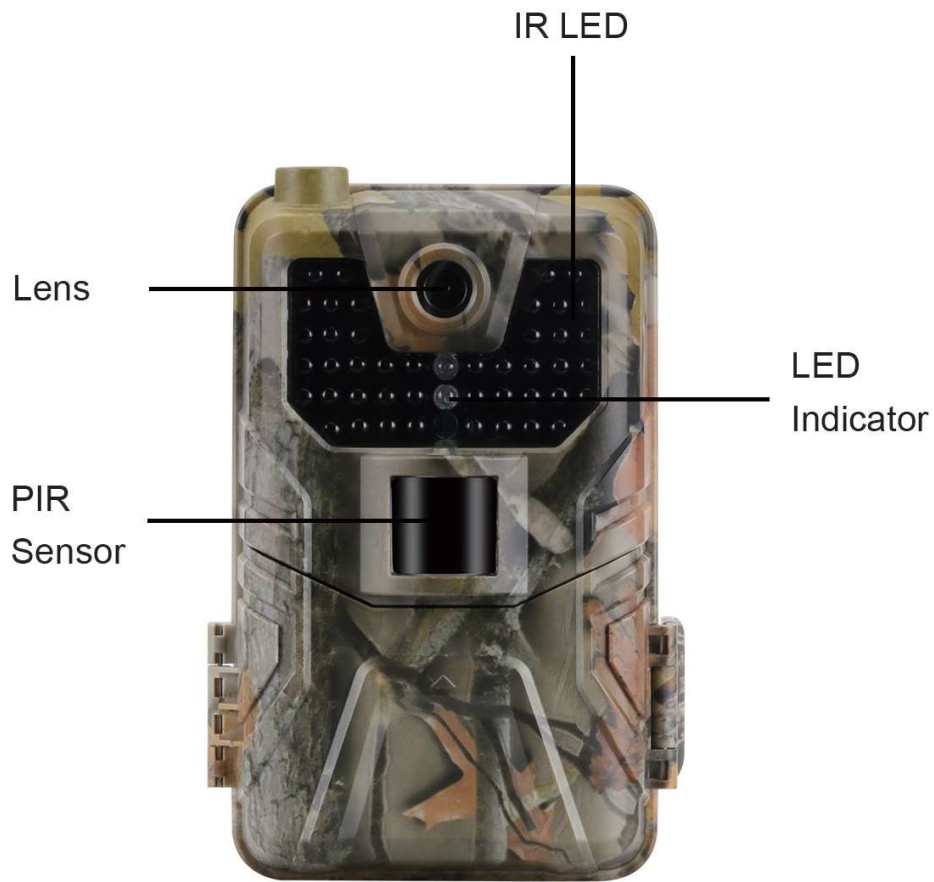
120°

Dimensions

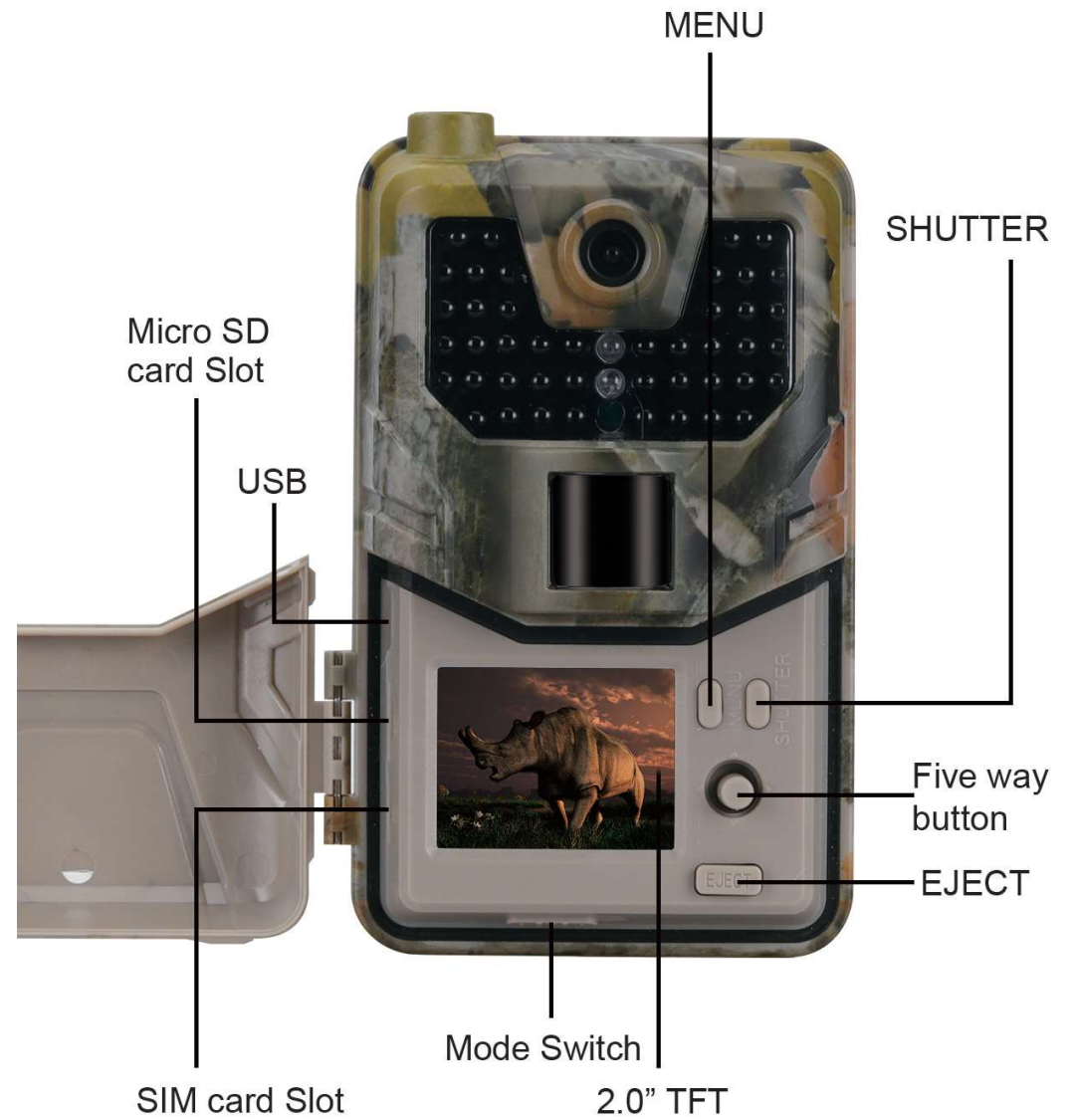
150mm X 100mm X 60 mm

Recommendations

Operating temperature	(-20 °C to + 60 °C) (-4°F to +140 °F)
Storage temperature	(-20 °C to + 60 °C) (-4 °F to +140 °F)

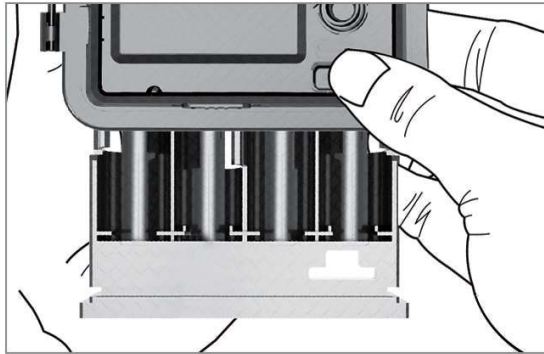


04



05

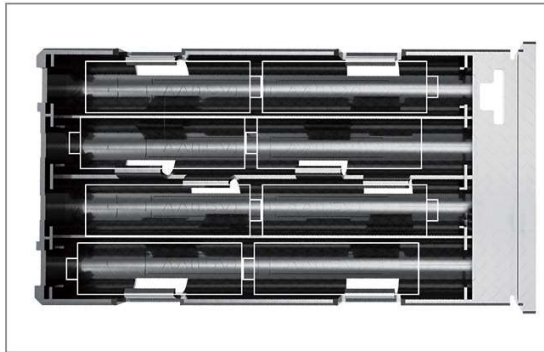
INSTALLING BATTERIES



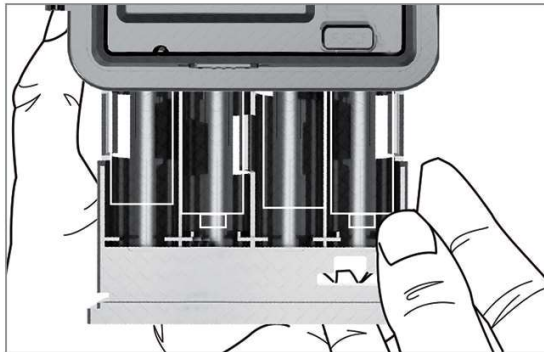
IF USING AA - ALKALINE BATTERIES

1. Press EJECT , the battery box will pop out

2. Insert the AA batteries accordingly as indicated by the positive and negative battery icons



3. Slide the battery compartment back into the camera housing until it is completely engaged in the slot in the bottom of the housing



NOTE: Installing any of the 8-AA batteries in the wrong direction may cause the batteries to leak acid and could possibly explode, causing camera failure and damage to the battery compartment.

06

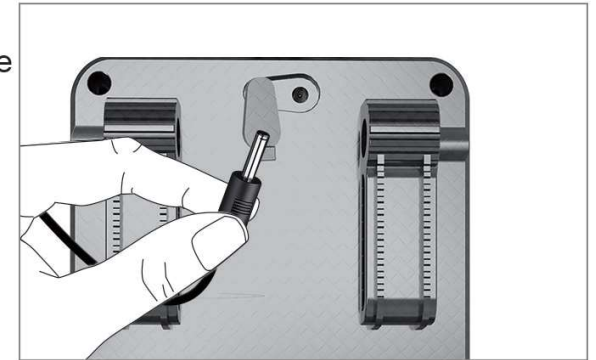
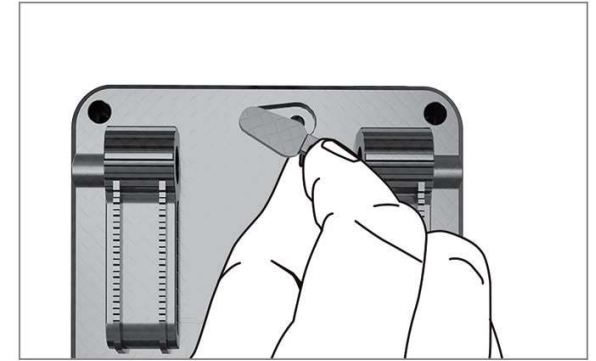
BATTERIES CONT.....

IF USING 12V DC POWER SOURCE

1. Remove the rubber port cap at the bottom of the camera .

2. Using a universal 12V DC cord, plug in to the bottom port option.

3. When not in use, replace the rubber port cap at the bottom of the camera to protect the 12V DC universal plug-in port.



07

MEMORY CARD INSTALL

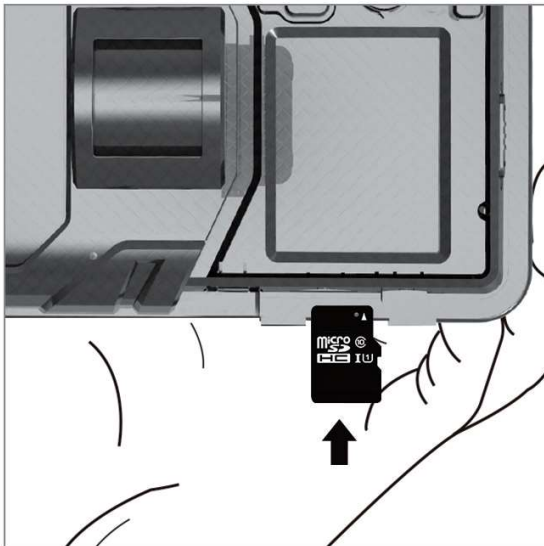
INSTALL MICRO-SD CARD

1. Insert the Micro SD card (Max 64 GB) with the contacts facing away. The Micro SD card should slide in freely with little resistance. Continue pressing the card inward until you hear a click. This means the Micro SD card is locked in place and ready for use.



2. To remove Micro SD card, press the card inwards to release.

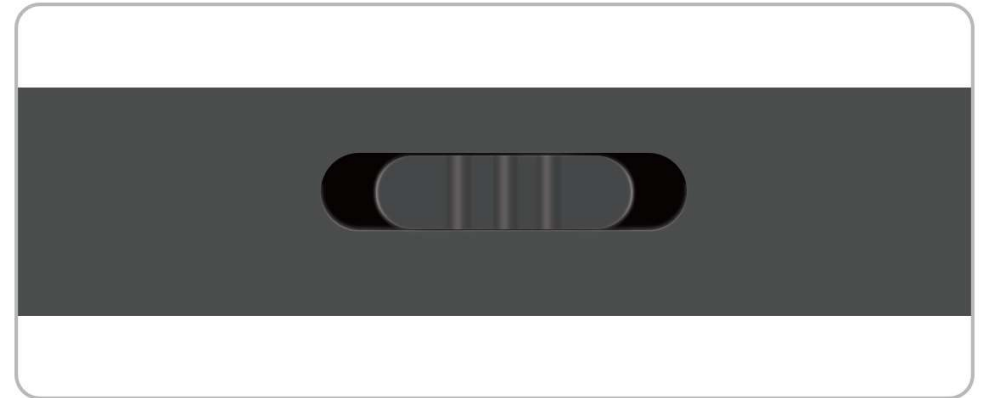
Caution: we recommend class6 & above high speed memory card, cheap memory card may damage the pictures and videos



08

Power on

Slide Power Switch from OFF to TEST, camera screen power on (don't slide it from OFF to ON directly)



CONTROL PANEL

Under TEST Mode

- Press **MENU** to launch the system menu or exit.
- Press **SHUTTER** to manually trigger the shutter. A photo or video (depending on the mode) will be taken and saved to the memory card.
- The Rocker has 5 functions: **LEFT**, **RIGHT**, **UP**, **DOWN** and **OK**
- Press **RIGHT** to review photo or video, **UP / DOWN** to browse the pictures and videos and

09

- Press **LEFT** to start and stop Video, Press **SHUTTER** to exit.
- Press **LEFT** directly to get the IMEI (in the TEST mode).

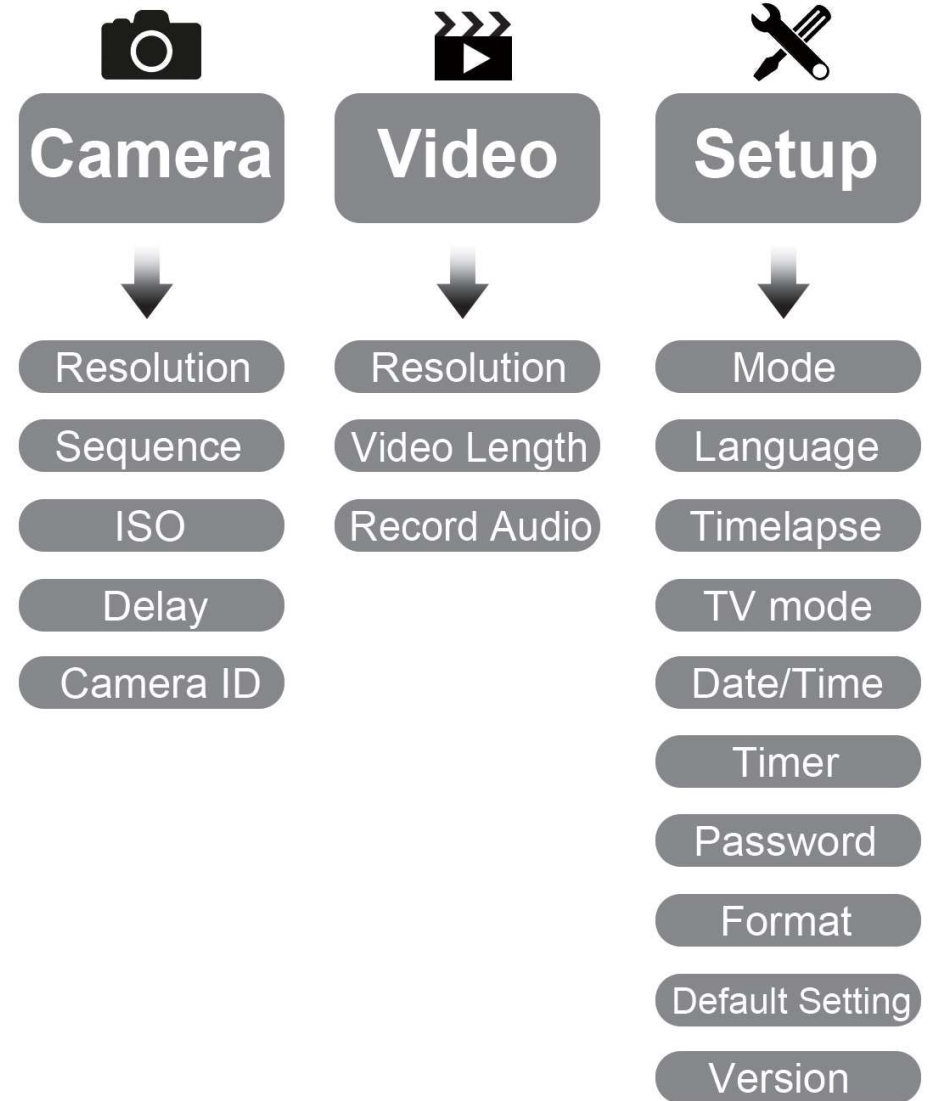


ON

In this mode, the screen power off and remoter is useless. The camera works automatically. Will capture and send picture out if detected any motions by PIR.

Advanced Setting

Menu list





Camera	Sub menu	Description
Resolution	20MP, 16MP, 12MP	Photo Size
Sequence	1/3/6/9	Number of photos taken every time
ISO	Auto, 100, 200, 400	The camera exposure level
Delay	1/5/10/30 sec/min	Waiting time from the last taking
Camera ID	0-0-0 0-0-0	Camera ID



Video	Sub menu	Description
Resolution	1080P, 720P, WVGA, VGA	Video size
Video Length	10S, 30S, 60S, 90S	The time length of video
Record Audio	On, Off	If On, Video sound is recorded



Setup	Sub menu	Description
Mode	Camera, video, camera& video, Timelapse	Taking picture, video, picture and video, taking picture regular
Language	English, Francais, Deutsch and so on	Camera Menu language
Timelapse interval	5/30/60 Min	Taking picture or video every 5/30/60 minutes constantly
TV Mode	NTSC, PAL	TV play mode

Setup	Sub menu	Description
Date/Time	2019-06-03 16:37:25	Year-Month-Date Hour: Minute:Second
Timer	ON, OFF	If On, the camera only works in the period
Password	****	4 digital numbers(1314 Universal password)
Format	SD Card	All files of memory card will be deleted
Default Setting	return menu setting to defaults	Cancel/OK
Version	03/09/2018 16:37:25	Camera version

Camera to ON Mode

When you complete all the setting, slide switch to “ON “mode, after Red flash for 5 seconds, then the camera will start to work.

- **Cautions:** camera display and control panel will be useless when camera at “ON” mode, you need to slide switch back to “TEST” mode to preview the pics.

TROUBLE SHOOTING

Camera Doesn't Capture Subject of Interest

- Check the PIR sensitivity. For warm environmental conditions, set the Sensor Level to “Low” and for cold weather use, set the sensor for “High”.
- Try to set your camera up in an area where no heat resources are in the camera's field of view.
- In some cases, set the camera near to water will make the camera take images with no subject in them.
- Try to aim the camera over ground.
- Try to set camera on stable and immovable objects, i.e.: large trees.

- At night, motion detector may detect beyond range of the IR illumination, reduce distance setting by adjusting sensor sensitivity.
- Rising sun or sunset can trigger sensor. Camera should be reoriented.
- If person/animal moves quickly, it may move out of the camera's field of view before photo is taken. Move camera further back or redirect camera.

Camera Stop Taking Images

- Please make sure that the memory card has enough memory storage. If the card is full, camera will stop taking images.
- Check batteries to make sure that alkaline, NIMH or lithium AA batteries left power is enough for camera to work
- Make sure that the camera power switch is at the “On” position and not at the “Off” or “Test” modes.
- Please format the memory card when you first time to use it or change to use another memory card

Night Vision Flash Range Doesn't Meet Expectation

- 4pcs AA batteries is not able to support camera night vision ability, please install 8 pcs AA batteries for better battery life
- make sure that batteries are fully charged or left power is enough.
- High-quality 1.5V NIMH or Lithium rechargeable AA batteries can offer much better Infra flash range than alkaline batteries.
- To ensure accuracy and quality of night image, please try to mount camera on dark environment without obvious light sources.
- To ensure accuracy and quality of night time image, please mount camera to dark environment without any obvious light sources;
- Certain surroundings (like trees, walls, ground, etc.) within flash range can get you better night time images; please do not aim camera to total open field where there is nothing within IR flash range to reflect flash back, it's like shinning a flashlight into sky in night, you just can't see anything, same does camera.

WARRANTY

With great pride and full confidence in products, we always keep our words which are given to our customers as specified warranty terms and services below. Based on a strict QC system, we initially offer all our customers one-year long time limited warranty.

Our products are warranted against defects in materials and workmanship for a period of one year from the date of original purchase. If a defect exists, we will, at our option and to extent permitted by law will

- (1) repair the product at no charge using new or refurbished parts;
- (2) exchange the product with a functionally equivalent product that is new or refurbished.

This warranty excludes damage from abuse, accident, modifications or others that are not defects in materials and workmanship. This warranty only covers failures due to defects in materials or workmanship under normal usage. To obtain warranty service, please contact us to determine the nature of problem before return the product under this warranty (with a written description of the problem and print samples) for repairing or exchanging.